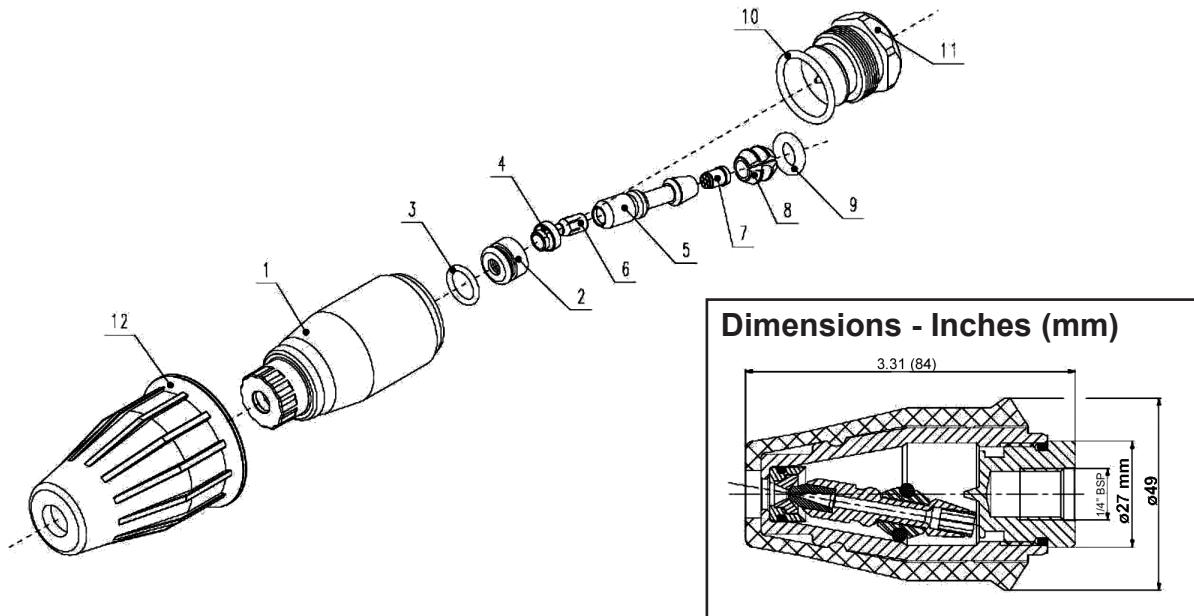


Series 22040B

Turbo Nozzle



Parts List

Item	Part#	Description	Quantity
1	06219	Front Cap	1
2	06220	Housing	1
7	04806	O-Ring	1
9	27017	O-Ring	1
10	27018	Drive Plug	1

Note: Item numbers 2-10 are sold in kits

Operating Conditions

Maximum Flow:	18.5 GPM (70 L/min)
Maximum Pressure:	3600 PSI (250 bar)
Maximum Temperature:	212 °F (100 °C)
Weight:	0.7 lbs. (320 g)
Bearing:	Ceramic
Nozzle:	Ceramic
Spray Angle:	20°
Connection:	1/4" FBSP**

* 22040B-45, 22040B-5.0, & 22040B-5.5 are all FNPT.

+ To convert from BSP to NPT threads you may order 06581 (1/4" MBSP x 1/4" FNPT) or 06581M (1/4" MBSP x 1/4" MNPT)

Model #	Repair Kit#	Nozzle	Includes
22040B-2.0	09440A-2.0	#2.0	2-10
22040B-2.5	09440A-2.5	#2.5	2-10
22040B-3.0	09440A-3.0	#3.0	2-10
22040B-3.5	09440A-3.5	#3.5	2-10
22040B-4.0	09440A-4.0	#4.0	2-10
22040B-4.5	09440A-4.5	#4.5	2-10
22040B-5.0	09440A-5.0	#5.0	2-10
22040B-5.5	09440A-5.5	#5.5	2-10
22040B-6.0	09440A-6.0	#6.0	2-10
22040B-7.0	09440A-7.0	#7.0	2-10
22040B-8.0	09440A-8.0	#8.0	2-10
22040B-8.5	09440A-8.5	#8.5	2-10
22040B-9.0	09440A-9.0	#9.0	2-10
22040B-10.0	09440A-10.0	#10.0	2-10
22040B-12.0	09440A-12.0	#12.0	2-10
22040B-20.0	09440A-20.0	#20.0	2-10

MAINTENANCE NOTICE:

If turbo will not spin, take unit apart and clean the nozzle. If turbo still will not spin, have an authorized distributor repair nozzle.

GIANT

Performance Under Pressure

Giant Industries, Inc.

900 N. Westwood Ave.

Toledo, Ohio 43607

PHONE: 419-531-4600

FAX: 419-531-6836

www.giantpumps.com



TURBO LASER REPAIR INSTRUCTIONS

- 1) Remove cover (12).
- 2) While holding the end of the housing (1), use a 27 mm wrench to remove the drive plug (11).
- 3) Remove rotor assembly (4-9).
- 4) From the top of the housing (1), use a 5/16" wooden dowel rod and press out ceramic seat (2) and o-ring (3). From the top side of the housing (1). Replace with new ceramic seat and o-ring.
- 5) Replace o-ring (10) on drive plug (11).
- 6) Replace rotor assembly (4-9). Tighten the drive plug onto housing (1). Gently shake nozzle to make sure the rotor assembly can move.
- 7) Push cover (12) over the housing (1).

Performance Chart			
Part Number	Nozzle Size	Flow- US (GPM)	Flow-Metric(L/min)
22040B-30	3.0	1.9	7.3
22040B-35	3.5	3.3	12.3
22040B-40	4.0	3.8	14.4
22040B-45	4.5	4.3	16.3
22040B-50	5.0	4.7	17.7
22040B-55	5.5	5.3	20.2
22040B-60	6.0	5.7	21.7
22040B-65	6.5	6.2	23.4
22040B-70	7.0	6.7	25.3
22040B-80	8.0	7.6	28.8
22040B-85	8.5	8.1	30.7
22040B-90	9.0	8.8	33.2
22040B-10	10.0	9.5	36
22040B-12.0	12.0	11.4	43
22040B-20.0	20.0	18.5	70