

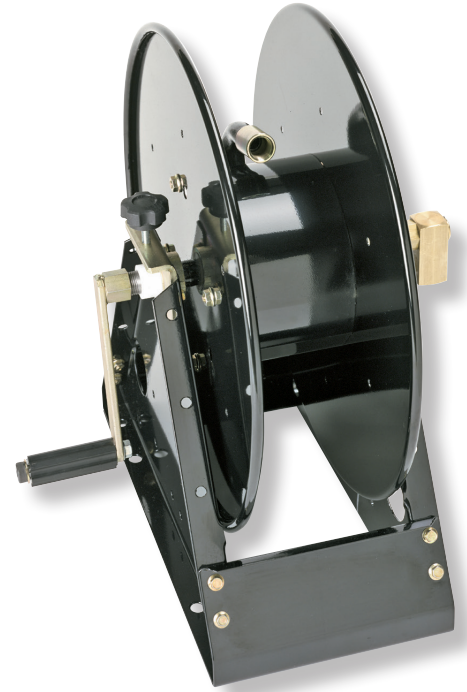
M-Series

For 3/8" and 1/2" Hose I.D.

M-Series are manual driven hose reels where long lengths of hose are required, as in Agriculture, Power Wash, Pest Control and Construction trades. Hose can be dispensed and retracted with greater ease and expedience than coiling by hand. Designed for heavy duty applications.

All reels shipped less hose unless requested on quote basis.
 Mounting holes 1/2" dia.

Series	Dimensions		
	A	B	C
M 5-5	5	7 3/4	8 3/4
M 10-5	10	12 3/4	13 3/4
M 15-5	15	18 1/2	19 1/2
M 20-5	20	23 1/2	24 1/2
M 25-5	25	28 1/2	29 1/2



Product Name:

Hosetract M-Series

Manufacturer:

Hosetract
 6433 Discount Drive
 Fort Wayne, IN 46818
 www.hosetract.com

Max. Temp. — 200°F

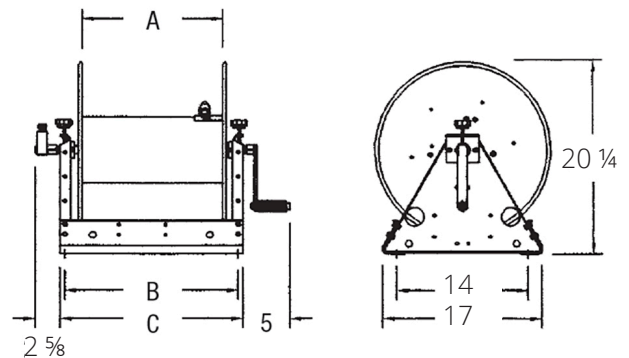
M-Series Hose reels also available in stainless steel.

Call us for more details.

Guide system available for 10", 15", 20", 25" wide reels. Sold separately.

Features:

- Flow through shaft for universal installation
- Self lubricating ABS bearings
- External swivel can be serviced on the reel
- Bolted construction
- 2 year manufacturer's warranty
- Fully adjustable nylon brake - adjust tension with hand knob
- Mounting base is light and strong
- Steel constuction with powder coated finish



M-Series

For 3/8" and 1/2" Hose I.D.

M Series

Models without hose and hose stop

Model #	Weight	PSI	Hose Capacity 3/8"	Hose Capacity 1/2"	Hose End Fitting
M 5-5	30	4000	100'	75'	None
M 10-5	39	4000	250'	175'	None
M 15-5	51	4000	350'	350'	None
M 20-5	62	4000	450'	450'	None
M 25-5	74	4000	550'	550'	None
High Pressure Stainless Steel Liquid Path					
M 5-5-SS	30	4000	100'	75'	None
M 10-5-SS	39	4000	250'	175'	None
M 15-5-SS	51	4000	350'	275'	None
M 20-5-SS	62	4000	450'	375'	None
M 25-5-SS	74	4000	550'	475'	None