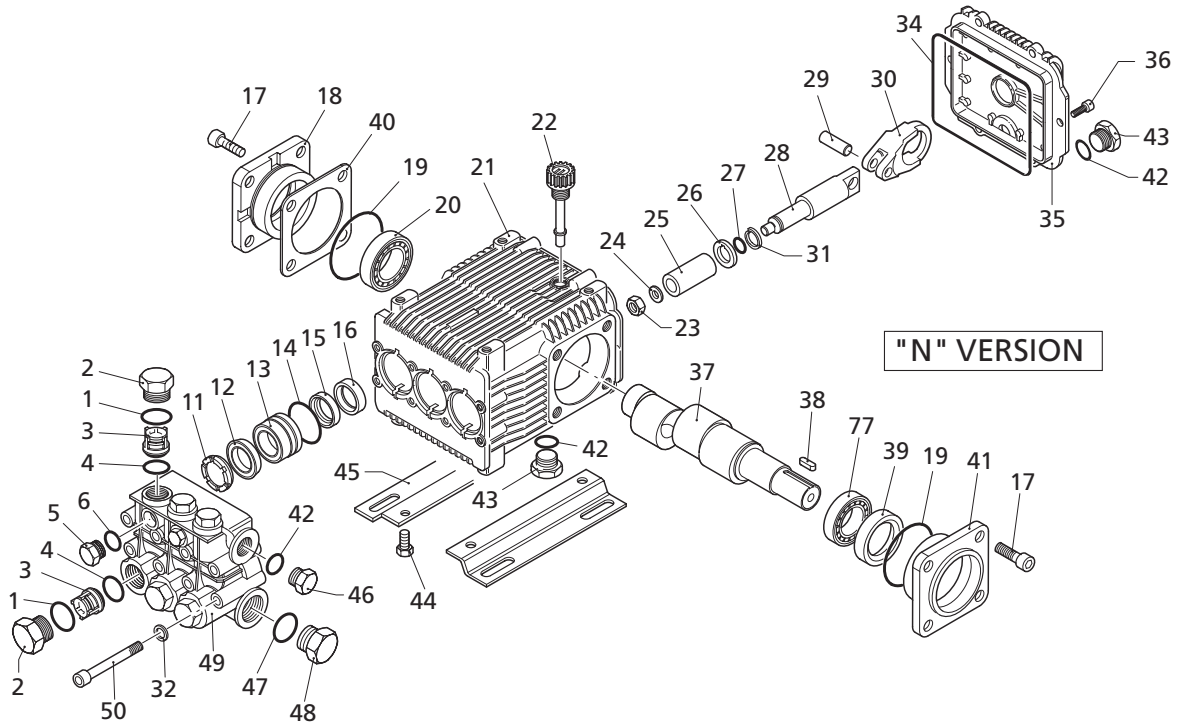


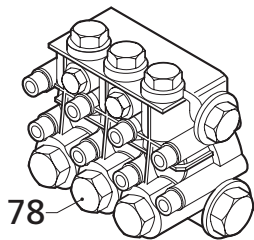
# A.R. NORTH AMERICA

## RK 1450 RPM



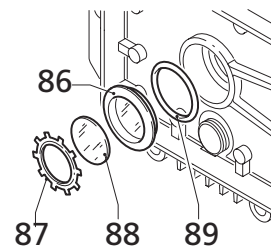
46 - 1

**Complete Pump Head**



46 - 2

**Rear Sight Glass**



46 - 3

# RK 1450 RPM PARTS/KITS

| Pos | Code    | Description                       | Qty                    | Note  |
|-----|---------|-----------------------------------|------------------------|-------|
| 1   | 960160  | O-Ring                            | Ø 17.86x2.62           | 6     |
|     | 960090  | Valve Cap                         | Brass (478 in/lbs)     | 6     |
| 2   | 960850  | Valve Cap                         | SS (478 in/lbs)        | 6 ★   |
|     | 1380740 | Valve Cap                         | H (478 in/lbs)         | 6     |
| 3   | 1389051 | Complete Valve                    |                        | 6     |
| 4   | 880830  | O-Ring                            | Ø 15.54x2.62           | 6     |
|     | 880581  | Plug                              | 1/4" G- Brass          | 2     |
|     | 1380690 | Plug                              | 1/4" G, H              | 2 ★   |
| 6   | 820510  | O-Ring                            | Ø 10.82x1.78           | 2     |
|     | 960110  | Support Ring                      | Ø 18                   | 3     |
| 11  | 840300  | Support Ring                      | Ø 20                   | 3     |
|     | 840320  | Support Ring                      | Ø 22                   | 3     |
|     | 1382740 | High Pressure Packing             | Ø 18                   | 3     |
|     | 840290  | High Pressure Packing             | Ø 20                   | 3     |
|     | 840330  | High Pressure Packing             | Ø 22                   | 3     |
|     | 1380090 | Piston Guide                      | Ø 18                   | 3     |
| 13  | 1380150 | Piston Guide                      | Ø 20                   | 3     |
|     | 1380160 | Piston Guide                      | Ø 22                   | 3     |
| 14  | 961240  | O-Ring                            | Ø 31.47x1.78           | 3     |
|     | 880330  | Low Pressure Seal                 | Ø 18                   | 3     |
| 15  | 840280  | Low Pressure Seal                 | Ø 20                   | 3     |
|     | 840340  | Low Pressure Seal                 | Ø 22                   | 3     |
| 16  | 880520  | Oil seal                          |                        | 3     |
| 17  | 850370  | Bolt                              | M8x16 (217 in/lbs)     | 3     |
| 18  | 1380050 | Closed Bearing Support            |                        | 1     |
| 19  | 640030  | O-Ring                            | Ø 59.99x2.62           | 2     |
| 20  | 2280340 | Bearing                           |                        | 1     |
| 21  | 1382770 | Pump Housing                      |                        | 1     |
| 22  | 880130  | Oil cap. (Vented Dipstick)        |                        | 1     |
| 23  | 962010  | Nut                               | M8 (106 in/lbs)        | 3     |
| 24  | 962000  | Washer                            | Ø 8.1                  | 3     |
|     | 1380940 | Ceramic Piston                    | Ø 18                   | 3     |
|     | 1380930 | Ceramic Piston                    | Ø 20                   | 3     |
|     | 1382360 | Ceramic Piston                    | Ø 22                   | 3     |
| 26  | 1380950 | Washer                            | (slinger)              | 3     |
| 27  | 600180  | O-Ring                            | Ø 7.66x1.78            | 3     |
| 28  | 1380920 | Piston Rod                        |                        | 3     |
| 29  | 1380060 | Connecting Rod Pin                |                        | 3     |
| 30  | 1383020 | Connecting Rod                    | Bronze > 3000 PSI      | 3     |
|     | 1383050 | Connecting Rod                    | Alum. < 3000 PSI       | 3     |
| 31  | 1080401 | Fiber Ring                        |                        | 3     |
| 32  | 1381850 | Lock Washer                       |                        | 8     |
| 34  | 1780510 | O-Ring                            | Ø 106x3                | 1     |
| 35  | 1789010 | Rear Cover                        |                        | 1     |
| 36  | 1343510 | Bolt                              | M6x14 (89 in/lbs)      | 6     |
|     | 2280070 | Solid Shaft                       | 24mm, 2 ID Stamp       | 1 □   |
| 37  | 2280060 | Solid Shaft                       | 24mm, 1 ID Stamp       | 1 ○ ● |
|     | 2283040 | Solid Shaft                       | 24mm, NL               | 1 ■   |
| 38  | 1380520 | Key                               |                        | 1     |
| 39  | 180340  | Shaft Oil Seal                    |                        | 1     |
|     | 1380120 | Shim 0.10 mm                      |                        | 1-3   |
|     | 1380130 | Shim 0.20 mm                      |                        | 1-3   |
|     | 1380530 | Shim 0.25 mm                      |                        | 1-3   |
|     | 1382810 | Shim 0.05 mm                      |                        | 1-3   |
| 41  | 1380040 | Open Bearing Support (217 in/lbs) |                        | 1     |
| 42  | 740290  | O-Ring                            | Ø 14x1.78              | 3     |
| 43  | 1989600 | Plug                              | 3/8" G Brass, w/O-ring | 2     |
| 44  | 1260470 | Bolt                              | M8x10                  | 4     |

| Pos | Code            | Description          | Qty                    | Note |
|-----|-----------------|----------------------|------------------------|------|
|     | 1380141         | Rail                 | 5/8"                   | 2    |
| 45  | Z-Bracket-1 3/4 | Rail                 | 1-3/4"                 | 2    |
|     | Z-Bracket       | Rail                 | 2-5/8"                 | 2    |
| 46  | 1989600         | Plug                 | 3/8" G Brass, w/O-ring | 1 ★  |
|     | 1981180         | Plug                 | 3/8" G, H              | 1    |
| 47  | 180101          | O-Ring               | Ø 17.5x2               | 1    |
|     | 820361          | Plug                 | 1/2" G                 | 1 ★  |
| 48  | 960870          | Plug                 | 1/2" G, H              | 1 ★  |
|     | 1381070         | Blank Pump Head      | Ø 18 H                 | 1    |
|     | 1381071         | Blank Pump Head      | Ø 18 Brass             | 1    |
| 49  | 1380020         | Blank Pump Head      | Ø 20-22 Brass          | 1    |
|     | 1380680         | Blank Pump Head      | Ø 20-22 H              | 1    |
| 50  | 820150          | Head Bolt            | M8x70 (217 in/lbs)     | 8    |
| 77  | 1383140         | Bearing              |                        | 1    |
|     | 1389270         | Complete Pump Head   | Ø 18, Brass            | 1    |
|     | 1389272         | Complete Pump Head   | Ø 18 H                 | 1 ★  |
| 78  | 1389271         | Complete Pump Head   | Ø 18 H                 | 1    |
|     | 1389212         | Complete Pump Head   | Ø 20 H                 | 1    |
|     | 1389220         | Complete Pump Head   | Ø 22 H                 | 1    |
| 86  | 1260250         | Oil Sight Glass      |                        | 1    |
| 87  | 1260430         | Retainer Ring        |                        | 1    |
| 88  | 1780690         | Sight Glass Diffuser |                        | 1    |
| 89  | 1140450         | O-Ring               | Ø 20.24x2.62           | 1    |

AR64516 Oil (16 oz) - Capacity 15 oz, QTY 1  
Pumps are Prefilled with Oil from the Factory.  
Change oil every 3-5 months or every 500 hours of operation.  
H = Nickel Plated  
SS = Stainless Steel  
NL = 45mm Shaft length  
Tightening torque (Tolerance + 0 ÷ -10%)

## OPTIONAL PARTS/KITS

| Pos | Code      | Description                     | Qty                              | Note                         |
|-----|-----------|---------------------------------|----------------------------------|------------------------------|
|     | 2809      | Viton Water Seals Kit           | Ø 18                             | 1                            |
|     | 2810      | Viton Water Seals Kit           | Ø 20                             | 1                            |
|     | 2811      | Viton Water Seals Kit           | Ø 22                             | 1                            |
|     | 42213     | Water Seal Kit for up to 180° F | Ø 18 High Temp                   | 1                            |
|     | 2820      | Water Seal Kit for up to 180° F | Ø 20 High Temp                   | 1                            |
|     | 1837      | Rail Kit 5/8"                   | 2 Rails & 4 Bolts                | 1 Pos 44, 45                 |
|     | 2633      | Rail Kit 1-3/4"                 | 2 Rails & 4 Bolts                | 1 Pos 44, 45                 |
|     | 2633H     | Rail Kit 2-5/8"                 | 2 Rails & 4 Bolts                | 1 Pos 44, 45                 |
|     | 42149     | Single Cylinder Piston Kit      | Ø 18                             | 1 Pos 23, 24, 25, 26, 27, 31 |
| 2   | 960090T   | Tapped Valve Cap                | Threaded 1/4" brass (478 in/lbs) | 1                            |
| 2   | 960850T   | Tapped Valve Cap                | Threaded 1/4" SST (478 in/lbs)   | 1                            |
|     | 1829      | Support Ring Kit                | Ø 18                             | 1 Pos 11                     |
|     | 1815      | Support Ring Kit                | Ø 20                             | 1 Pos 11                     |
|     | 1816      | Support Ring Kit                | Ø 22                             | 1 Pos 11                     |
|     | AR1989600 | Plug w/O-Ring Kit               |                                  | 1 Pos 42, 43                 |

## LEGEND

| Symbol | Material | Description                        |
|--------|----------|------------------------------------|
| ○      | -        | RK15.15, RK15.20H, RK15.28H ★ Ø 18 |
| ●      | -        | RK18.20H, RK18.28H ★ Ø 20          |
| ■      | -        | RK18.28HNL ★ Ø 20                  |
| □      | -        | RK21.20H Ø 22                      |
| ★      | -        | Over 3600 PSI                      |

| Valve Kit 2864 |     |
|----------------|-----|
| Pos.           | Qty |
| 3              | 6   |
| 4              | 6   |

| Piston Kit 2546 (Ø 18)<br>Kit 2547 (Ø 20)<br>Kit 2759 (Ø 22) |     |
|--|-----|
| Pos.   | Qty |
| 23   | 3   |
| 24   | 3   |
| 25   | 3   |
| 26   | 3   |
| 27   | 3   |
| 31   | 3   |

| Water Seal Kit 1857 (Ø 18)<br>Kit 1887 (Ø 20)<br>Kit 1888 (Ø 22) |     |
|--|-----|
| Pos.   | Qty |
| 12   | 3   |
| 14   | 3   |
| 15   | 3   |

| Oil Seal Kit 1855 |     |
|-------------------|-----|
| Pos.              | Qty |
| 16                | 3   |
| 19                | 2   |
| 34                | 1   |
| 39                | 1   |

COUNTRY OF ORIGIN: ITALY  
LAST UPDATED: APRIL 2023